

All Sinpro I.T.E. power supplies are certified by EN 55032:2012.

EN 55032:2012 is now in force.

The new EMC standard EN 55032 has imposed on March 5 2017, formally replaced the three product standards:

- **EN55022:** Information technology equipment.
- **EN55013:** Sound and television broadcast receivers and associated equipment.
- **EN55103-1:** Electromagnetic compatibility – product family standard for audio, video, audio-video and entertainment lighting apparatus for professional use.

After March 5 2017, any product that was tested under EN55013, EN55022, EN55103-1, must meet the requirements of EN 55032:2012.

EN55022 was the standard that I.T.E. power supply required to comply with, the standard is EN55032 now. Since the major effect on power supply is the measurement method and setting, it doesn't affect the design of Sinpro power supplies. All Sinpro I.T.E. power supplies are already obtained the new certifications.

Major difference between EN55032 and EN55022.

| Item / Standard | EN55032 | EN55022 |
|-------------------------|---|--|
| Voltage test | 110 / 230VAC | 230VAC |
| Equipment Under Test | Multi-Media (ITE, Audio / Video, Broadcast receivers & Combinations) | Information Technology Equipment |
| RE Test Distance | 3m or 10m | 10m |
| Test Distance Reference | Antenna to boundary of EUT | Antenna to front of table |
| Table/EUT position | Back of EUT centered on turntable | Table centered on turntable, EUT back of table |

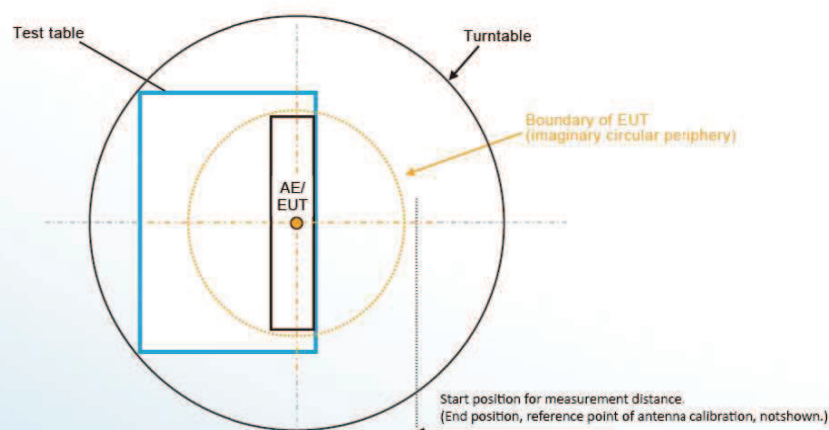


Figure – Boundary of EUT, Local AE and associated cabling (Radiation emission measurement)

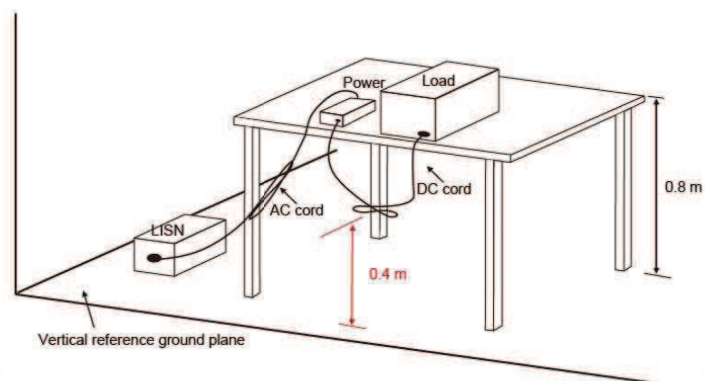


Figure – Example measurement arrangement for table-top EUT (Conducted emission measurement)

